

YAMAHA NS-E103

Natural Sound Bass-Reflex Effect Speaker System

Thank you for selecting this Yamaha NS-E103 speaker system.

PRECAUTIONS

Read these precautions carefully before using your speaker.

- Any time you note distortion, reduce the volume control on your amplifier to a lower setting. Never allow your amplifier to be driven into "clipping". Otherwise the speaker may be damaged.
- When using an amplifier with a rated output power higher than the nominal input power of the speaker, care should be taken never to exceed the speaker's maximum input.
- Do not attempt to clean the speaker with chemical solvents as this might damage the finish. To clean, wipe with a dry, soft cloth.
- To prevent the enclosure from warping or discoloring, do not place the speaker where it is exposed to direct sunlight or excessive humidity.

- Do not place the speaker where it is liable to be knocked over or struck by falling objects. Stable placement will also ensure better sound performance.
- Placing the speaker on the same shelf or rack as the turntable can result in feedback.
- As some speaker contain strong magnets, avoid placing watches, magnetic tapes, etc. near them. Also, placing speaker near a TV set may impair picture color. If this happens, move the speakers away from the TV set.
- **Secure placement or installation is the owner's responsibility. YAMAHA shall not be liable for any accident caused by improper placement or installation of the speaker.**

CONNECTION TO YOUR AMPLIFIER

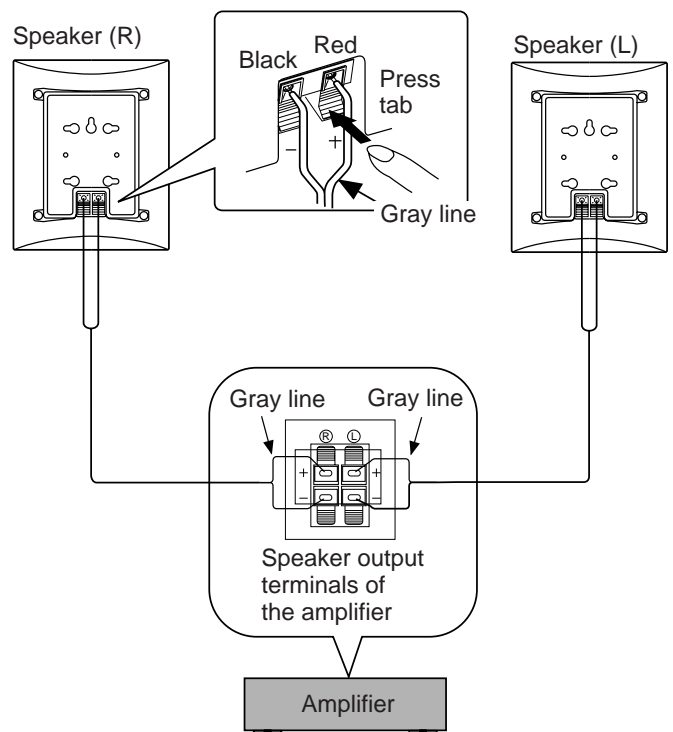
BEFORE MAKING CONNECTIONS, MAKE SURE THAT THE AMPLIFIER IS SWITCHED OFF.

■ CONNECTIONS

- Connect the push-type input terminals at the rear of the speakers to the speaker output terminals of your amplifier with the provided speaker cables.
- One side of the speaker cable is marked with a gray line. Connect the (+) terminals on both the amplifier and the speakers using this gray-marked side. Connect the (-) terminals on both components using the unmarked side of the cable.
- Connect one speaker to the left (marked L) terminals of your amplifier, and another speaker to the right (marked R) terminals, being sure not to reverse the polarity (+, -). If one speaker is connected with reversed polarity, the sound will be unnatural and lack bass.

Procedures:

- ① Press the tab on the terminal down, as shown in the figure.
- ② Insert the bare wire end properly into the terminal hole. [Remove approx. 10 mm (3/8") insulation from the speaker cable.]
- ③ Remove your finger from the tab to allow it to lock snugly on the cable's wire end.
- ④ Check the connection by lightly pulling the cable at the terminal.



Note

Do not let the bare speaker wires touch each other as this could damage the speaker and/or the amplifier.

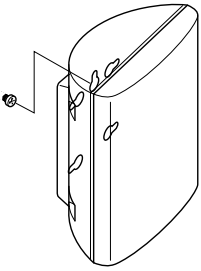
SETTING UP THE SPEAKERS

■ Mounting the speakers on a wall

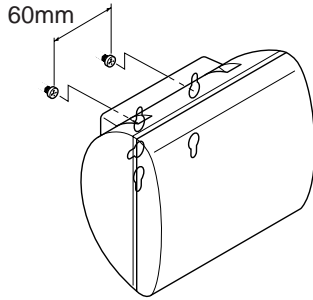
The speaker can be mounted on a wall by using the holes provided on the speakers' back panel.

The hole(s) on the speaker's back panel is arranged so that the speaker can be mounted in either of the two configurations shown by the following figures.

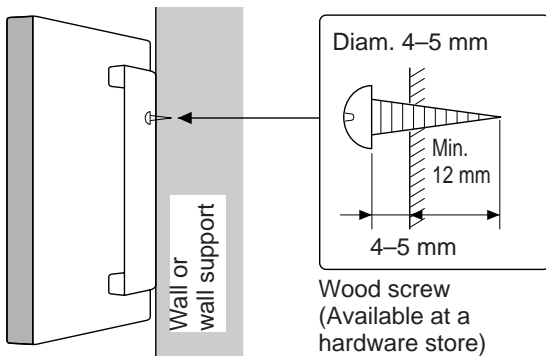
Upright mounting



Side-long mounting



Fasten wood screws onto a firm wall or wall support as shown in the figure, and set the mounting holes onto the protruding screws.

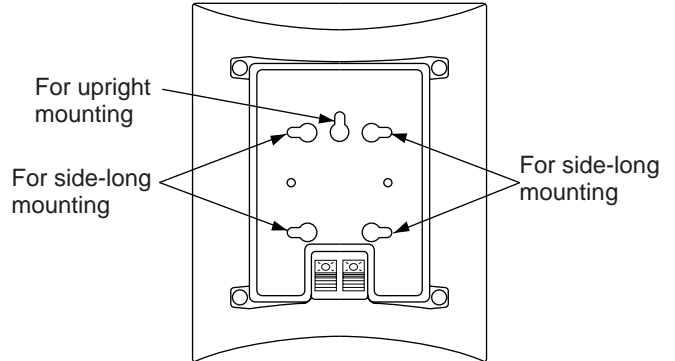


Make sure that the screw is caught securely at a narrow part of the hole .



For the upright mounting, only one hole is provided.

As for the side-long mounting, two holes are provided. Be sure to use these two holes as a set.



WARNING:

- * Each speaker weighs 1.4 kg (3 lbs. 1 oz.). Do not mount them on thin plywood or soft wall surface material, as the screws may come out of the flimsy surface, causing the speakers to fall down and be damaged, or result in personal injury.
- * Do not fasten the speakers to walls with nails, adhesives, or other unsound hardware. Long-term use and vibrations may cause them to fall down.
- * To avoid accidents resulting from tripping over loose speaker cables, fix them to the wall.

SPECIFICATIONS

Type.....	Full-range bass-reflex speaker system Magnetic shielding type
Speaker Unit	10 cm cone full-range
Nominal Impedance	6 ohms
Frequency Response	70 Hz – 20 kHz
Nominal Input Power	25W
Maximum Input Power	80W
Sensitivity.....	90 dB/W-m
Dimensions (WxHxD).....	180 x 220 x 101 mm (7-1/16" x 8-11/16" x 4")
Weight.....	1.4 kg (3 lbs. 1 oz.)
Accessories	Speaker cable (10m) x 2

* Specifications subject to change without notice due to product improvements.

* Care should be taken not to exceed the input power values noted above.